

Model Number: UHF-5X00-5M/15247/15249 UHF PLL Wireless Microphone

Description:

Professional UHF PLL wireless microphone. Your new system is rugged, reliable, easy to set up and operate, and produces outstanding audio clarity. Whether you're a vocalist, guitarist or instrumentalist, this wireless system will show you how easy wireless can be, and how good wireless can sound. This user guide included with your system will tell you all you need to know to get your system working right away.



לצפייה באתר לחץ כאן

Features:

- Microcomputer controlled PLL synthesized oscillation circuit .
- UHF high band multi selectable frequencies.
- Dual "Pilo Tone & noise Lock" circuits minimize interference.
- Advanced compression circuit to avoid noise.
- EIA standard 1/2U rack-mountable metal receiver.
- Blue light LCD displays Group, Channel, RF and AF indicators.
- Individual volume controls.
- Individual balanced XLR and mixed unbalanced 1/4" outputs.
- MIC/LINE switch.
- Rugged aluminum handheld microphone with blue display & Steel Mesh Grill.
- Metal paint belt pack transmitter with blue display and volume control.
- One-touch SYNC sets the transmitter frequency to be same as receiver.
- Adopt high sensitivity and wide frequency response dynamic capsule to reproduce original sound.
- 80m operating range (line-of-sight).
- Receiver options: Single channel receiver(UHF-5100), Two-channel receiver(UHF-5200), Four-channel receiver(UHF-5400)
- Transmitter options: Handheld microphone (15247), Bodypack transmitter (15249) with headset microphone or lavalier microphone.



Specifications:

Item	UHF PLL Wireless Microphone		
Model	UHF-5100-5M	UHF-5200-5M	UHF-5400-5M
Receiver			
Frequency Range	498.1 ~ 508.0MHz		
Receiver Channels	1	2	4
Channels	100		
Channel Space	100KHz		
Frequency Stability	10ppm		
Sensitivity	13dBuV		
Adjacent Channel Rejection	75dB		
Image Rejection	95dB		
Audio Output	200MV		
Output Impedance	XLR balanced out: 200Ω; 1/4" unbalanced out: 1kΩ		
S/N Ratio	100dB		
Total Harmonic Distortion	<0.1%		
Frequency Response	50Hz-15kHz		
Operating Range	80m (in line and sight area)		
Power Supply	DC12V/0.5A (UHF-5100/5200), 12V/1A (UHF-5400)		

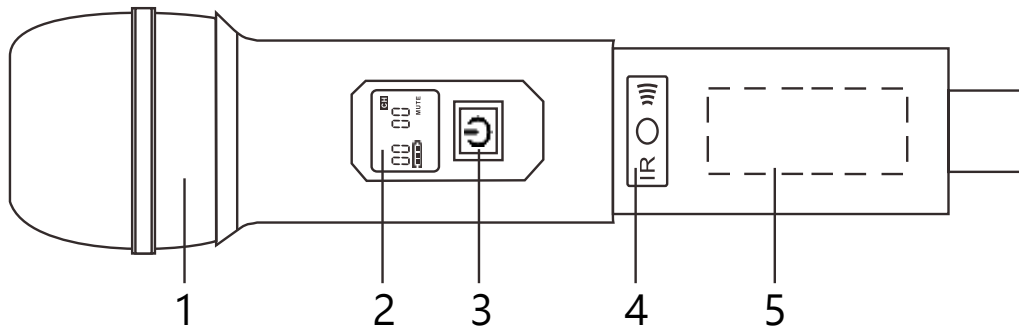


Item	UHF PLL Wireless Microphone		
Model	UHF-5100-5M	UHF-5200-5M	UHF-5400-5M
Transmitter			
Frequency Range	498.1~508.0MHz		
Channels	100		
Channel Space	100KHz		
Frequency Stability	10ppm		
Power Supply	3V (2 AA batteries)		
Modulation	FM		
Max Modulation	35K		
Transmitting Power	10mW		
Spurious Emission	< -40dB		
Current Consumption	120mA		

Frequencies:

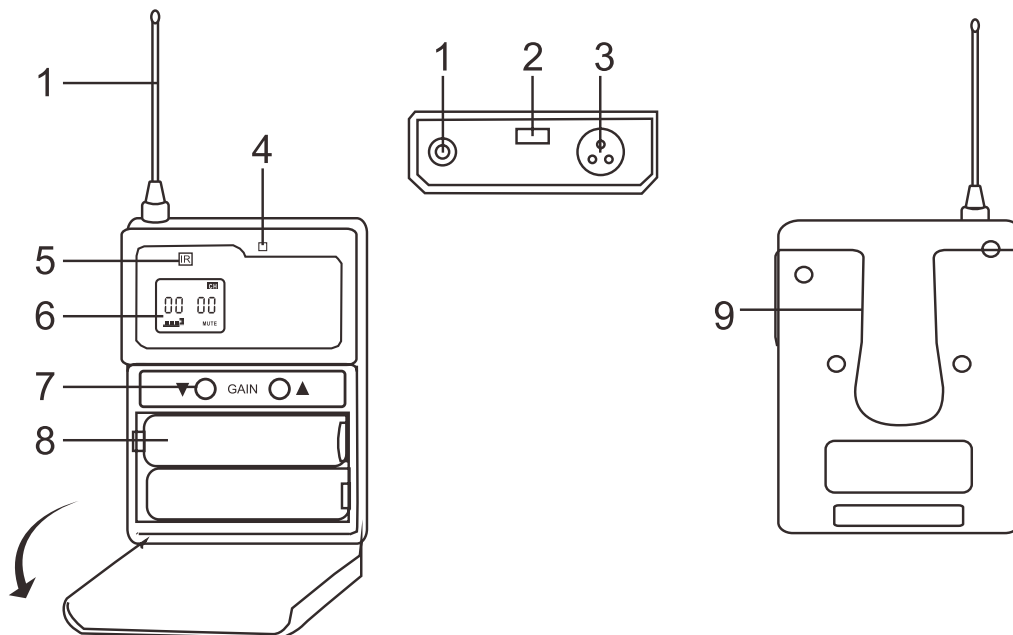
ISRAEL UHF-5100/5200/5400 series: 498.1-508MHz, 100CH, 100KHz										
GP/CH	00	01	02	03	04	05	06	07	08	09
00	498.10	498.20	498.30	498.40	498.50	498.60	498.70	498.80	498.90	499.00
01	499.10	499.20	499.30	499.40	499.50	499.60	499.70	499.80	499.90	500.00
02	500.10	500.20	500.30	500.40	500.50	500.60	500.70	500.80	500.90	501.00
03	501.10	501.20	501.30	501.40	501.50	501.60	501.70	501.80	501.90	502.00
04	502.10	502.20	502.30	502.40	502.50	502.60	502.70	502.80	502.90	503.00
05	503.10	503.20	503.30	503.40	503.50	503.60	503.70	503.80	503.90	504.00
06	504.10	504.20	504.30	504.40	504.50	504.60	504.70	504.80	504.90	505.00
07	505.10	505.20	505.30	505.40	505.50	505.60	505.70	505.80	505.90	506.00
08	506.10	506.20	506.30	506.40	506.50	506.60	506.70	506.80	506.90	507.00
09	507.10	507.20	507.30	507.40	507.50	507.60	507.70	507.80	507.90	508.00

Microphone description (Model 15247):



1. Grille(Capsule inside)
2. LCD screen: Display group, channel number and battery power.
3. On-off / mute switch: Press and hold 1~2 seconds to turn on or turn off microphone.
Press shortly to mute or unmute.
4. IR port: Receives infrared beam from receiver to synchronize frequencies.
5. Battery compartment

Transmitter description (Model 15249):



1. Antenna
2. On-off / mute switch: Press and hold 1~2 seconds to turn on/off transmitter.
Press shortly to mute or unmute.
3. Mini 3-pin MIC input Jack
4. Power indicator: Light green when turned on.
5. IR port: Receives infrared beam from receiver to synchronize frequencies.
6. LCD screen: Display group, channel number and battery power.
7. Gain UP and Down
8. Battery compartment
9. Belt clip